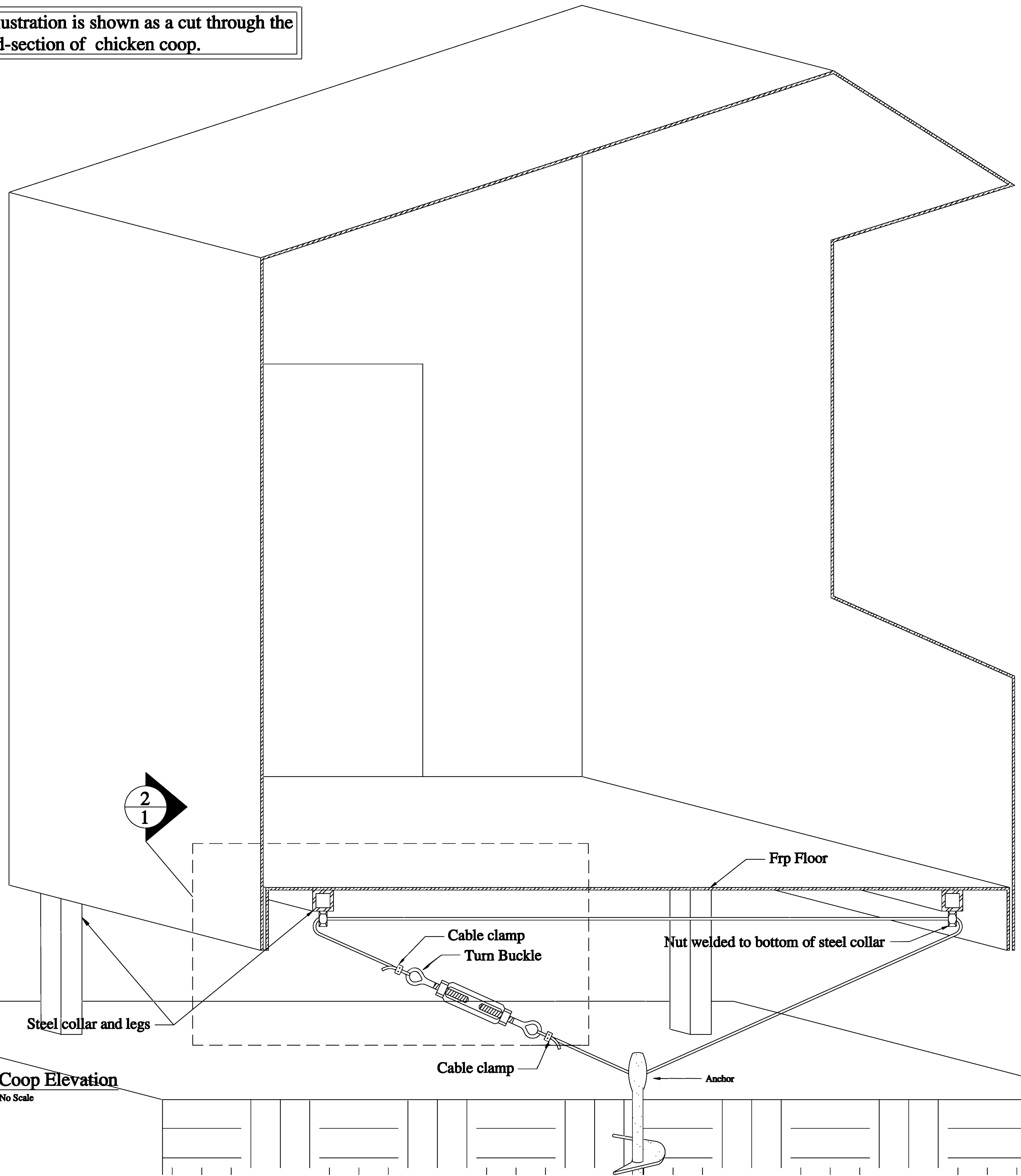
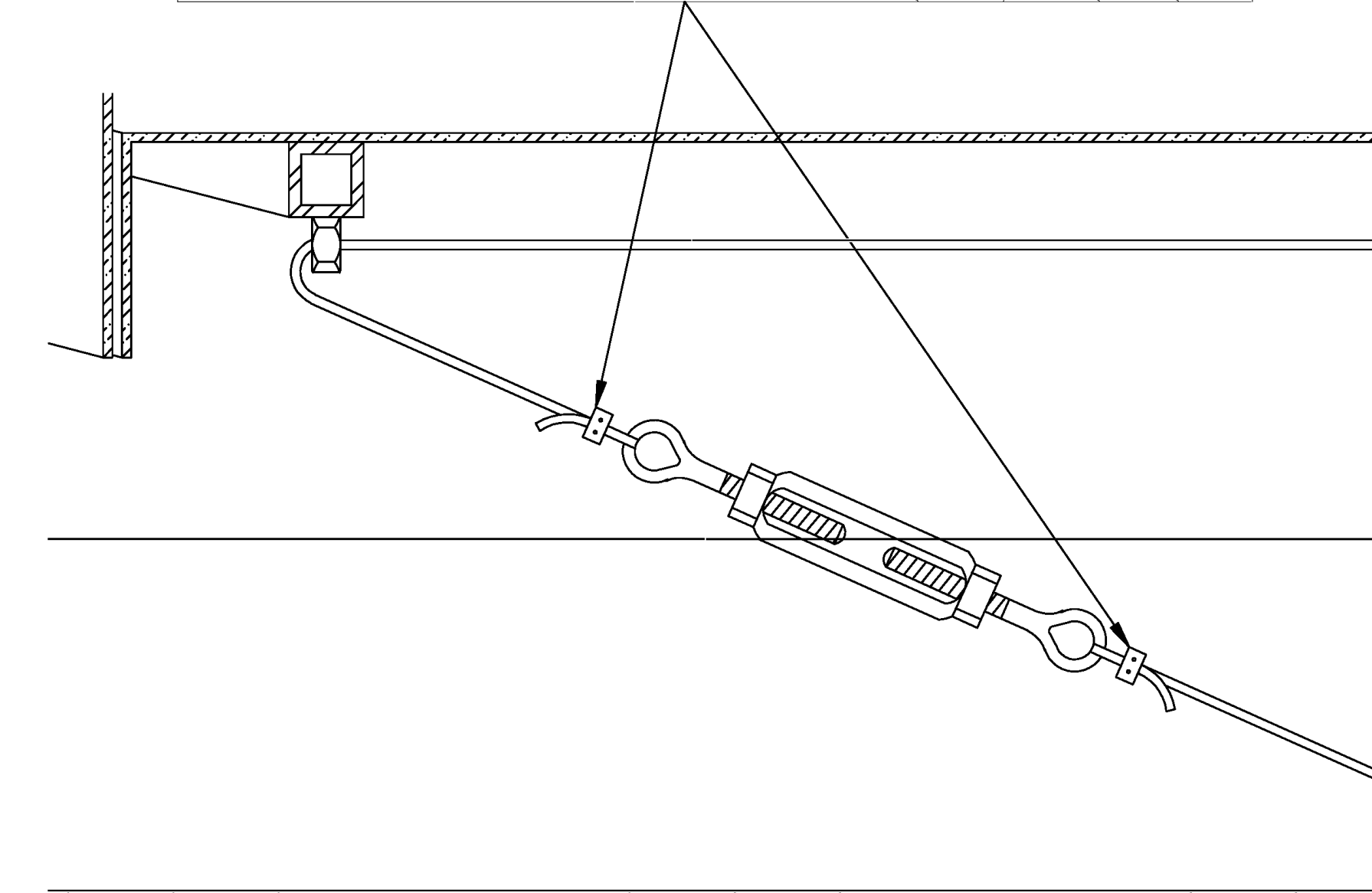
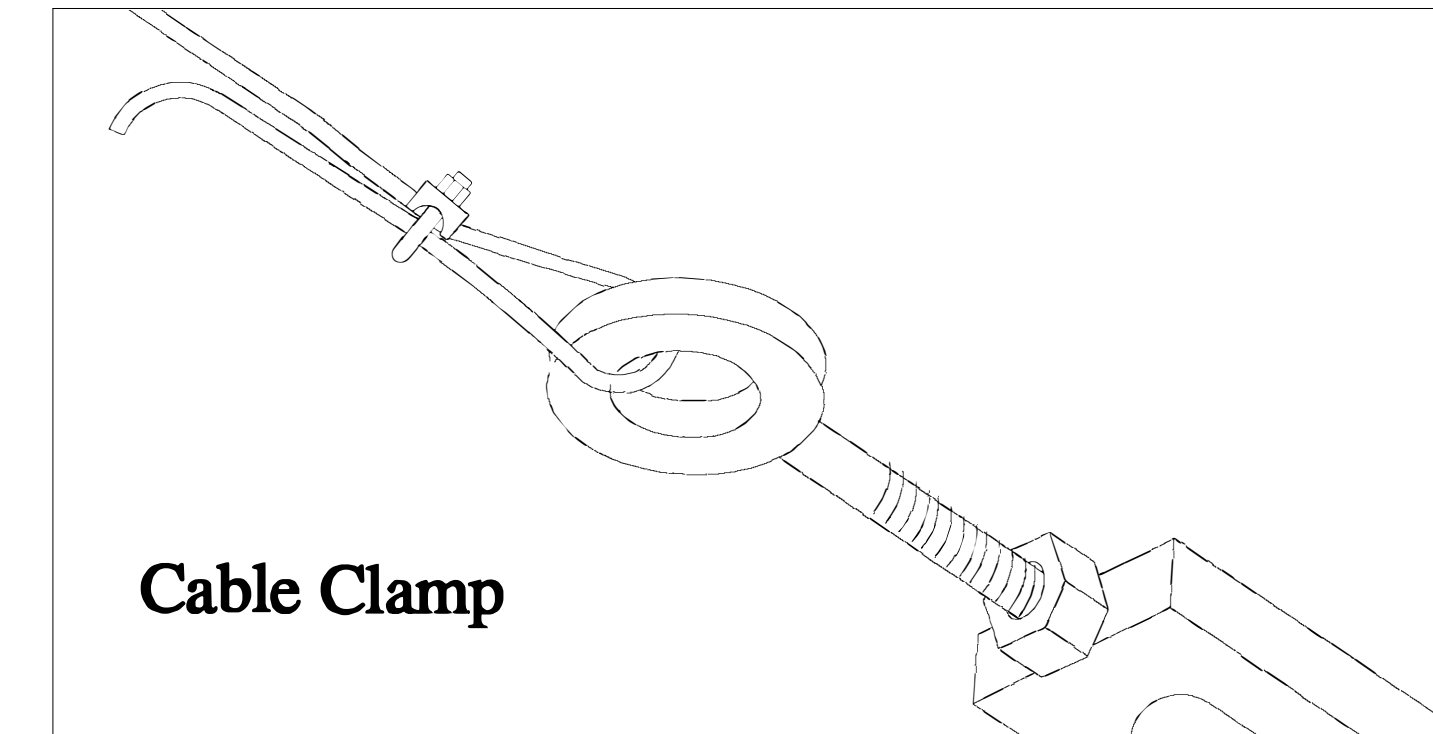


\*Illustration is shown as a cut through the mid-section of chicken coop.



## Anchor Kit Package Contents

- 1-Anchor
  - 1-Cable
  - 1-Turn Buckle
  - 4-Cable Clamp
1. Set and place Anchor in the ground of desired location.
  2. Run cable through one end of turn buckle.
  3. Apply two cable clamps and tighten.
  4. Run Cable through nuts out to the other side and through the opening on the anchor.
  5. Run the cable through the bottom opening of the turn buckle.
  6. Apply two cable clamps and tighten.
  7. Turn the turn buckle until cable is tight.



2  
1 Section  
No Scale

REVISIONS	1	2	3	4	5
REVDATE1	REVDATE2	REVDATE3	REVDATE4	REVDATE5	
△					
△					
△					
△					
△					

FIBERGLASS  
SPECIALTIES  
INCORPORATED

Eggstreme Coops  
Anchor Kit and Details

DRAWN BY: IMA  
CHECKED BY: R.H.  
PROJ. MGR.: L.L.  
JOB NO: XXXXXX  
DATE: XXXXX  
SCALE: AS NOTED

P.O. BOX 1340  
HENDERSON, TX  
75053-1340  
903.657.6522  
FAX# 903.657.2318

THIS DOCUMENT IS THE PROPERTY OF FIBERGLASS SPECIALTIES, INC. AND IS TO BE USED ONLY FOR THE PROJECT AND SITE SPECIFICALLY IDENTIFIED HEREIN. IT IS NOT TO BE REPRODUCED, COPIED, OR TRANSMITTED IN ANY FORM OR BY ANY MEANS, ELECTRONIC OR MECHANICAL, INCLUDING PHOTOCOPYING, RECORDING, OR BY ANY INFORMATION STORAGE AND RETRIEVAL SYSTEM. ANY UNAUTHORIZED USE OF THIS DOCUMENT IS PROHIBITED. A COMPLETE LIST OF PROJECTS AND PERMITTED USES IS AVAILABLE UPON REQUEST.